

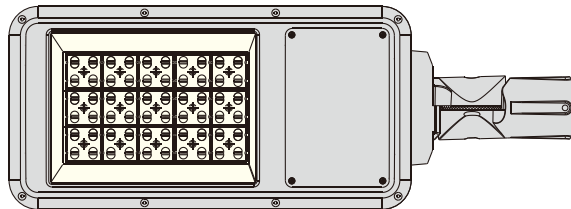
IMPORTANT: Please read carefully before installation and retain for future reference.

MODEL

D-120MN

D-120SN

D-120S1N



1: Concept:

LED lamp has little environmental pollution, low power consumption, high luminous efficiency, long life and other characteristics, therefore, LED lights will become the best choice for energy conservation.

high luminous efficiency, pure aluminum heat dissipation structure, air convection structure, modularization.

Street Lighting series are suitable for using in the following facilities:

- Main road, secondary road, slip road
- school
- factory
- city square
- garden

2: Installation**⚠ Warning:**

This product must be installed in accordance with the applicable installation code by a person familiar with the construction and operation of the product and the hazards involved consult a qualified electrician to ensure correct branch circuit conductor.

⚠ Warning:

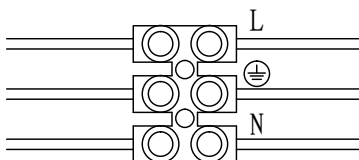
To avoid electric shock:

- Be certain electrical power is OFF before and during installation and maintenance.
- Luminaire must be connected to a wiring system with an equipment-grouping conductor.

⚠ Warning:


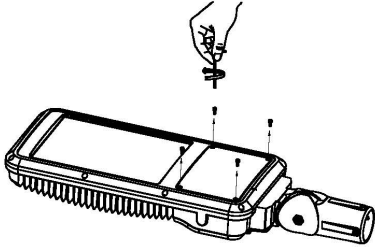
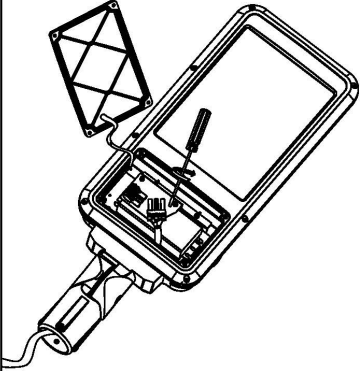
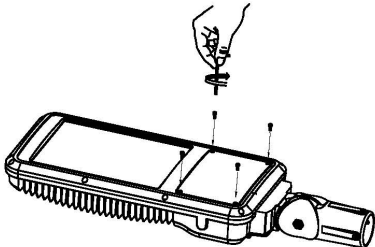

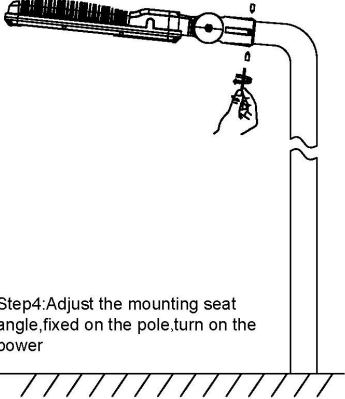
- Make sure the supply voltage is the same as the rated luminaire voltage.
- Do not operate in ambient temperatures outside those indicated on the nameplate.

- Connect power cable conductors as following:
 - ◆ Green wire connects to Safety Ground.
 - ◆ Blue wire connects to Neutral.
 - ◆ Brown wire connects to Live.
- Restore power and verify operation.



Installation

OUTDOOR

<p>①</p>  <p>Step1: Turn off the power. Loosen the screws on the cover</p> 	<p>②</p> <p>Step2:Open the electrical cover and connect the outer leads according to the logo</p> 
<p>③</p>  <p>Step3:Secure the cover with screws</p>	<p>④</p>   <p>Step4:Adjust the mounting seat angle, fixed on the pole, turn on the power</p>

WARNING: TO AVOID FIRE, SHOCK OR POSSIBLE INJURY, TURN OFF POWER AND TEST THAT THE POWER IS OFF BEFORE INSTALLATION.

NOTE: PLEASE MAKE SURE THE LAMP INSTALLATION IS SUITABLE FOR THE ILLUMINATION OF THE INTENDED AREA.

Product Parameters

Model	D-120MN,D-120SN,D-120S1N
Operating Voltage	AC 100-240V 50/60HZ
Power Efficiency	>88%
Power Factor	0.95
Fodules	Driver D-120MN:XLG-150-L-A,D-120SN : XLG-75-L-A,D-120S1N:XLG-50-A
System Power	D-120MN:150W,D-120SN:80W,D-120S1N:40W
Luminous Efficacy of Lights	>90 lm/W
Temperature of Junctions(TJ)	<70℃
LED Current	D-120MN:800ma,D-120SN:760ma,D-120S1N:780ma
Color Temperature	3000□7000 K
CRI	>Ra70
Lighting Source	LUXEON 5050
Working Environment	-40C~+35C, 10% ~90%RH
Storage Temperature	-35C~+45C
LED life span	>50000 Hours
Body and shell materials	Aluminum Alloy
Dimensions(mm)	D-120MN:780*280*105,D-120SN:628*250*80,D-120S1N:532*220*78
Net Weight	D-120MN:11Kgs,D-120SN:7.5Kgs,D-120S1N:4.6Kgs
Certificates	ETL
IP Protection Grade	Wet loaction